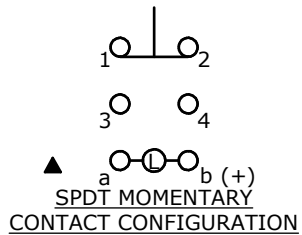
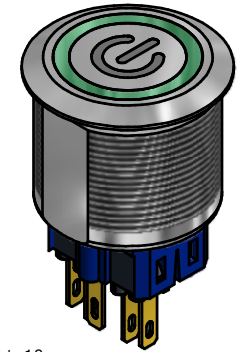
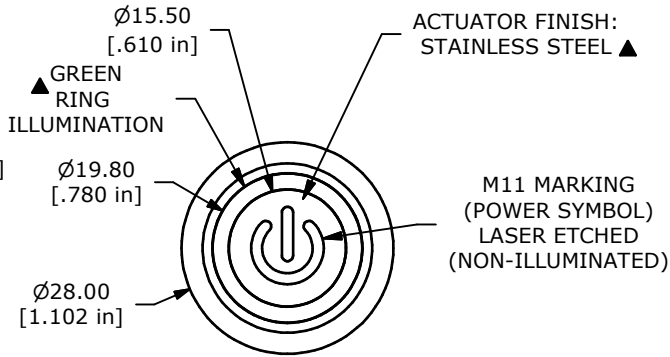
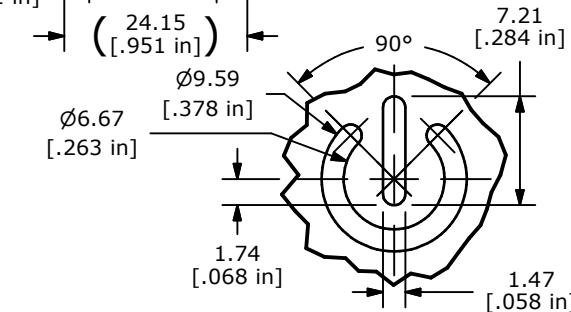
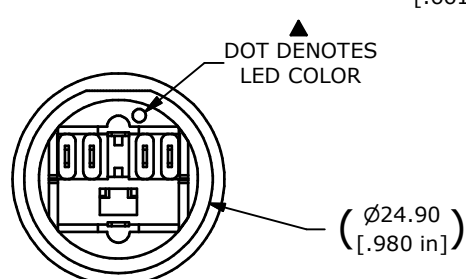
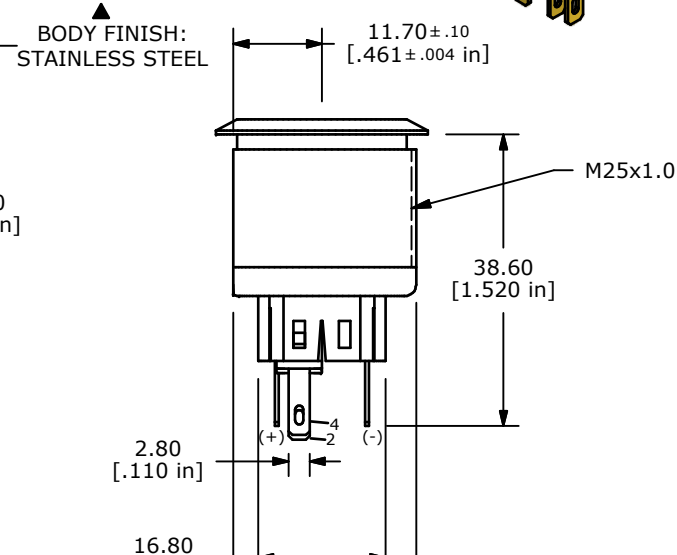
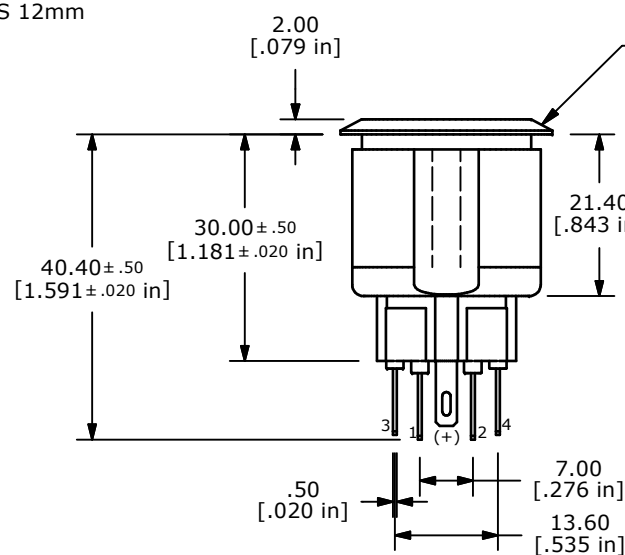


OPTIONAL PANEL CUTOUT MAX. PANEL THICKNESS 12mm  
 RECOMMENDED PANEL CUTOUT MAX. PANEL THICKNESS 12mm



SWITCH FUNCTION	
POS. 1	POS. 2
1-2	(3-4)

(ON) = MOMENTARY



SYMBOL DETAIL

- NOTE:
- ALL DIMENSIONS IN MM [INCH]
  - GENERAL TOLERANCE: X.X = ± 0.4  
X.XX = ± 0.25
  - TERMINAL NOS. FOR REF. ONLY
  - FUNCTION: SPDT
  - RATING: 2A @ 48VDC
  - ILLUMINATION VOLTAGE: 20mA 2.8V
  - CONTACT RESISTANCE: 50mΩ MAX. @ 1A 12VDC
  - INSULATION RESISTANCE: 1,000MΩ @ 500VDC
  - DIELECTRIC STRENGTH: 2,000VAC MIN. FOR 1 MINUTE
  - ELECTRICAL LIFE: 50,000 CYCLES
  - OPERATING TEMPERATURE: -20°C TO 55°C
  - INGRESS PROTECTION: IP65
  - SUPPLIED HARDWARE: O-RING AND HEXNUT (NOT SHOWN)
  - ▲ DENOTES CRITICAL PARAMETER
  - 2002/95/EC (ROHS) COMPLIANT
  - ILLUMINATION COLOR: GREEN (FORWARD), GREEN (REVERSE)



TITLE PV8F2Y0SS-331-M11				
SCALE	DATE 4/15/2014	DR EBP	DWG 52-PV8F2Y0SS331M11	REV A

A	21438	RELEASE FOR PRODUCTION	4/15/14	EBP
REV	PCR NO	DESCRIPTION	DATE	BY

THE INFORMATION CONTAINED IN THIS DOCUMENT IS PROPRIETARY TO E-SWITCH AND IS NOT TO BE COPIED OR TRANSFERRED